



## T2000 Series STATIONARY



## DeMARCO® INDUSTRIAL VACUUMS

The Portable **DeMARCO® Vacuum T2000 Series** is precisely engineered and manufactured to the highest standards, therefore providing you with a level of unsurpassed quality, value and performance.

The T2000 Series is ideal for medium to heavy-duty wet/dry material volume applications that may require up to a 5" ID hose size with pick-up capacities up to 14 tons/hour. This design allows for batch or continuous dumping while maintaining hands-free filter cleaning for 24/7 hour operation. The T2000 Series may also be connected to a central manifold system with multiple pick-up point connections.

### YOUR SEARCH STOPS HERE™

DeMARCO® Vacuums are purposely built for decades of heavy-duty use with our exclusive performance features that are virtually maintenance-free. From our heavy gauge steel fabrications, to our time tested quality components and expert machine craftsmen, we are confident to stand behind every vacuum system that carries the DeMARCO® name worldwide by offering our exclusive **Limited LIFETIME Warranty - Nothing Less.**

## INDUSTRIES SERVED

### FOUNDRY

ALUMINUM  
BRONZE  
CARBON BLACK  
METAL  
ORES  
SAND CLAYS  
STEEL SHOT

### FOOD

FLOUR  
GRAIN  
SALT  
SUGAR

### MILLS

CHEMICALS  
SAWDUST  
PAPER  
PULP  
WOOD CHIPS

### MINING

ASPHALT  
BRICK  
CEMENT  
CONCRETE  
GRAVEL  
LIMESTONE  
MINERALS

### PLASTIC

FLAKES  
POWDER  
PELLETS  
RESINS

### POWER PLANT

COAL  
FLY ASH  
SLURRY

### MISC.

COATING  
GLASS  
SODA ASH  
POWDERS  
ETC.

## PERFORMANCE

Model	HP	Vacuum (”Hg) Rating*	CFM	Inlet ID Hose Size	Tons/ Hour**
2250	25	16”	660	3”	5
2300	30	16”	790	3-1/2”	8
2400	40	16”	950	4”	10
2500	50	16”	1150	5”	14

Above performances are approximate ratings under STP.

\* Vacuum capabilities up to 27” Hg available on select models.

\*\* Actual values may differ based upon distance from blower and material characteristics such as bulk density, particle size and operator’s efficiency.

- Exclusive Long Lasting Custom Design
- Washable and Reusable
- High Burst Strength with Dimensional Stability
- Dimpled, Non-Clogging Open Pleat Design
- Handles Ultra-Fine Powders
- Abrasion and Chemical Resistant
- Efficiencies up to 99.99% @ 0.2 Microns & Above
- Interval Air-Pulse Cleaning for Uninterrupted Vacuuming. No Manual Filter Shaking Required
- Secondary In-line or HEPA Filters Available
- Various Filter Medias Available
- Filter Performance Guarantee

\* Minimum 80 PSI Compressed Air Required for Filter Pulse Cleaning During Vacuuming.

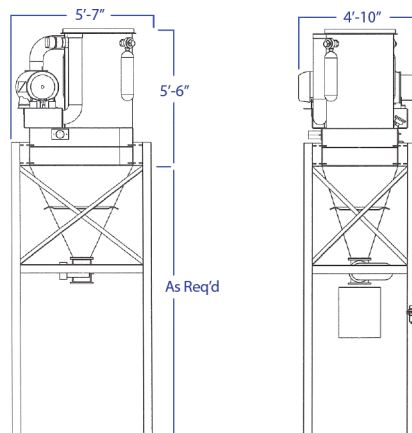


## DIMENSIONS & SPECIFICATIONS

### Stationary Options

- Ground Mounted Drive Package
- Service Platform with Railing and Access Ladder
- Direct Drum or Bulk Sack Loader
- Hopper Dust Shroud
- Custom Designed Manifold
- Turnkey Installed

- Stationary dimensions to be confirmed upon shop drawings.
- Custom dimensions available upon request.
- HEPA filter option may add to overall height.



### Material Discharge Options

- Standard Counter Weighted Dump Gate
- Manual or Auto Butterfly Valve
- Continuous Rotary Air-Lock Discharge Gate
- Manual or Auto Slide Gate
- Manual or Auto Knife Gate
- Pinch Valve

- Others Upon Request

## FEATURES & BENEFITS

### Patented Features

- DeMARCO® Material Offset Separation Circuit Provides Minimal Carryover to the Filtration Chamber Maximizing Filter Performance.
- Exclusive Line of Cyclone Separators
- DeMARCO® Silencer Base® Muffler
  - Low dBA Rating
  - Compact and Esthetic Design
  - Solid Support Structure for the Drive Package
  - Fork Tine Openings for Vacuum Mobility

### Control Panel

- NEMA 4 or 4X Enclosures
- 480V/3PH/60HZ or as Required
- Start/Stop Push-Buttons
- Material High Level Detector with Auto Shutdown
- Differential Pressure Switch for Filter Protection
- Magnehelic and Vacuum Gauges
- Vacuum Pump High Temperature Protection Circuit
- Engineered Electrical Drawings Included
- UL Approved
- **Options:**
  - NEMA 7/9 X-Proof Packages
  - 12V DC Panel
  - PLC Touch Screen Terminal

### Drive Package

- High Performance Positive Displacement Vacuum Pumps
- Continuous 24/7 Operation
- Up to 27" Hg (Mercury) Available
- High Energy Efficient Electric Motors
- V-Belt or Direct Drive

### Hopper and Structural Stand

- Material Collection Hoppers up to 27 Cubic Ft. or as Required
- Heavy-Duty Structural Support Stand with Base Plates for Anchor Bolting
- Hopper Access Door for Maintenance and Inspection
- Optional Adjustable Leg Extensions

### Custom Engineered Vacuums

Our full service custom engineering department is dedicated to provide customer focused solutions for your toughest applications.